

TECHNICAL DATA SHEET

DISHWASHER | PE500

Code 4012336

12 Month Parts & Labour Warranty

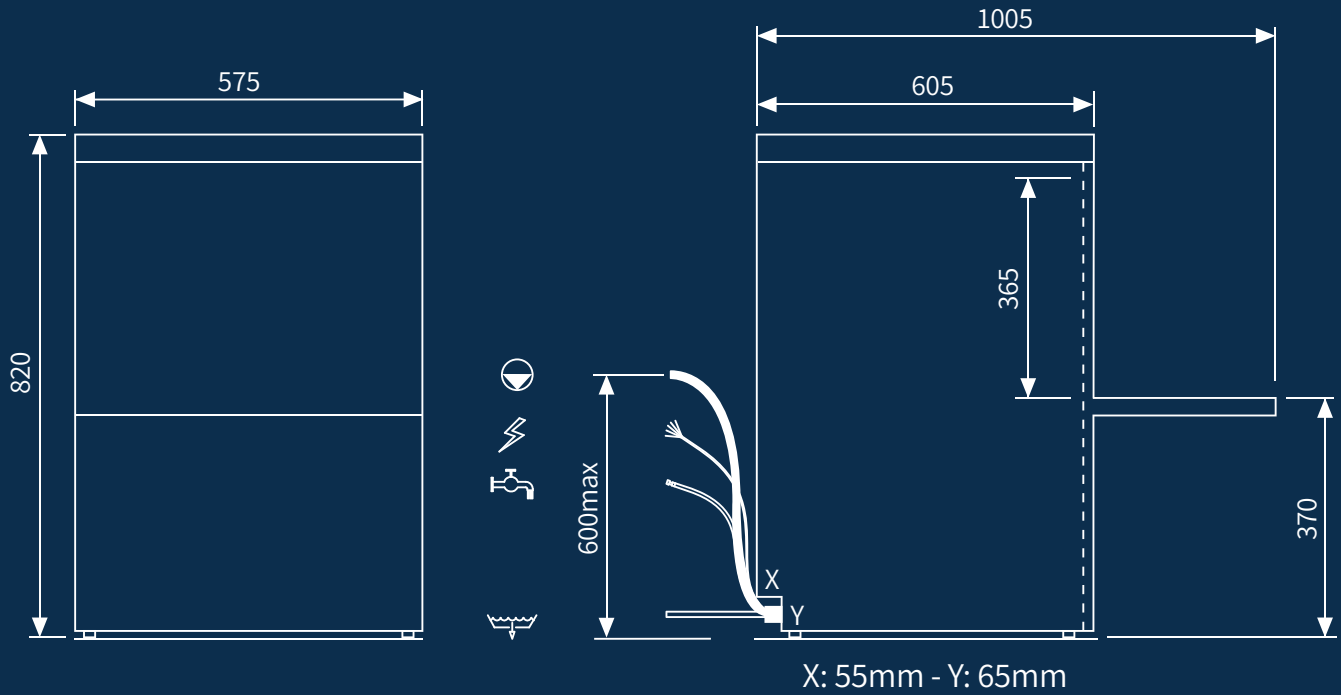


EXTERNAL DIMENSIONS, WEIGHT & VOLUME	Overall Dimension (Width-Depth-Height) *Open	mm	575 x 605 (1005*) x 820
	Packaging Dimension (W x D x H)	mm	690 x 670 x 980
	Gross Weight	Kg	62
	Net Weight	Kg	56
	Volume	M ³	0.45
CONSTRUCTION	Rack Size	mm	500 x 500
	Distance Between Rails	mm	500 x 500
	Rack's Drives/Frame Construction		Embossed
	Max Door/Hood Opening	mm	365
	Max Glasses/Plate Height	mm	325
	General Construction		Single Skin
	Door/Hood Construction		Double Skin
TANK	Tank Construction		Welded
	Tank Volume	Litre	20
	Tank Heating Element	W	2200
	Tank Surface Strainers		Yes - Composite
WASH PUMP	Wash Pump Type		Double Flow
	Wash Pump Power	W	470
	Wash Temperature	°C	60
BOILER	Boiler Type		Without Pressure
	Boiler Volume	Litre	6
	Back-Flow System		Break Tank
	Boiler Heating Element	W	2730
RINSE	Rinse Booster Pump		Yes
	Rinse Booster Pump Power	W	200
	Rinse Temperature	°C	80
	Rinse Water Consumption	Litre/Rack	2.2
	Optimal External Water Pressure	Bar	1 - 4
DRAIN	Drain System		Partial Drain
	Drain Pump		Standard Built In
RINSE AID & DETERGENT DISPENSER	Rinse Aid Dispenser	Peristaltic	Yes
	Detergent Dispenser	Peristaltic	Yes
WASH	Wash Cycle	Sec	60 - 120 - 150 Continuous
	Self Cleaning - Drain		Yes
POWER	Electric Power	W	3200
	Electric Connection	V - Ph - Hz	240v 1n 50hz
	Fuse	Amp	15
WASH SOFTENER	Water Softener		No
INSTALLED PARTS	Plates racks	N°1	Yes
	Cutterly Rack	N°4	Yes
	Drain Hose	N°1	Yes
	Fill Hose "Watermark"	N°1	Yes

TECHNICAL DATA SHEET

DISHWASHER | PE500

Code 4012336



DIMENSIONS & WEIGHT

Width	575mm
Depth	605mm
Height	820mm
Net Weight	56Kg

